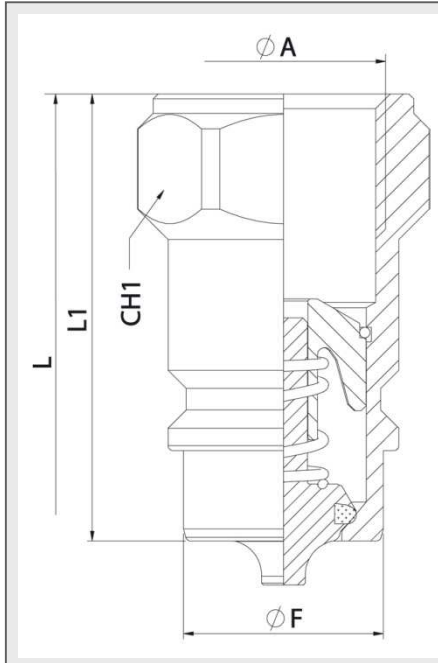


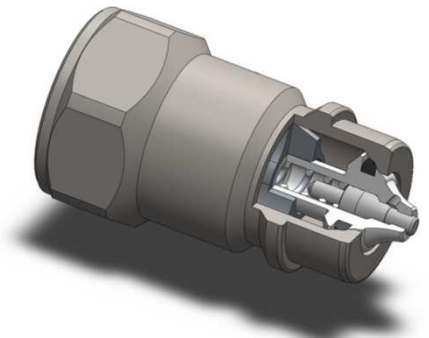


105 SERIES PSH

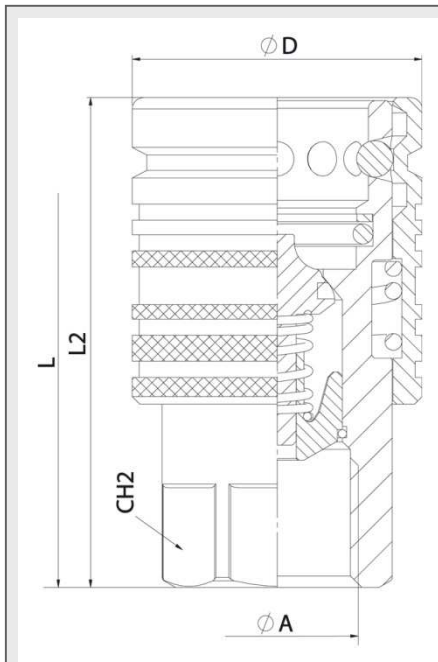


MALE				
DN	CH1	L1	ØF	L
13	27	46	20,56	87,50
	30	50		91,50

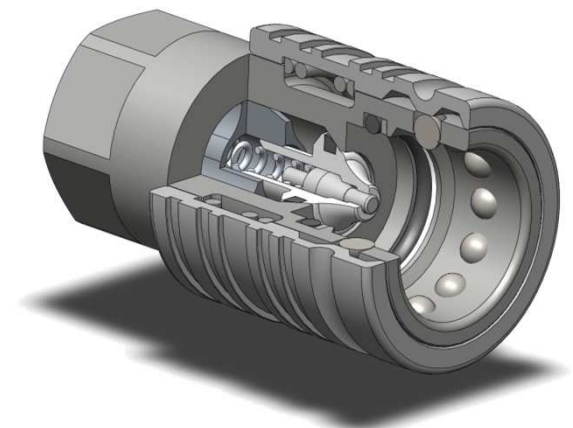
STANDARD MALE MODELS			
DN	ØA	MALE	
13	1/2" BSP	101.11113AD	300Bar
	1/2" NPTF	101.11113BD	
	M22x1,5	101.11113NG	
	3/4" - 16ORB	101.11113GF	
	7/8" 14ORB	101.11113GH	



C.U.R.P. connection is available in DN13
Up to 300 Bar.



FEMALE				
DN	CH2	L2	ØD	L
13	27	63,50	37,80	87,50



STANDARD FEMALE MODELS			
DN	ØA	FEMALE	
13	1/2" BSP	105.12113AD	300Bar
	1/2" NPTF	105.12113BD	
	M22x1,5	105.12113NG	