

**Raccordo femmina metrica 90° girevole –  
cono 24° con O-ring**

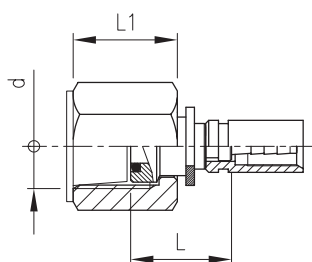
ISO 12151-2

**90° O-ring metric elbow swivel 24° cone**

ISO 12151-2

**Tubo tipo / Hose type**

6400							6500 - 6700						
Part. No.	L	L1	d	d1	Ch.	p max.	Part. No.	L	L1	d	d1	Ch.	p max.
801.42.006.00	22	35	L6	M12x1.5	14	315 bar	804.42.006.00	23.5	35	6	M12x1.5	14	315 bar
801.42.008.00	22	22	L8	M14x1.5	17	315 bar	804.42.008.00	27	30	8	M14x1.5	17	315 bar
801.42.010.00	21.5	21.5	L10	M16x1.5	19	315 bar	804.42.010.00	28	32	10	M16x1.5	19	315 bar
801.43.006.00	22	35	S6	M14x1.5	17	630 bar	804.43.006.00	23.5	35	6	M14x1.5	17	500 bar
801.43.008.00	22	22	S8	M16x1.5	19	630 bar	804.43.008.00	27	30	8	M16x1.5	19	500 bar
801.43.010.00	21.5	21.5	S10	M18x1.5	22	630 bar	804.43.010.00	28	32	10	M18x1.5	22	500 bar



**Raccordo manometro girevole**

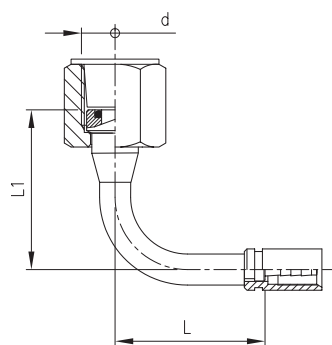
EN 837-1

**Female swivel pressure gauge fittings**

EN 837-1

**Tubo tipo / Hose type**

6400						6500-6700					
Part. No.	L	L1	d	Ch.	p max.	Part. No.	L	L1	d	Ch.	p max.
801.50.020.00	17.5	18	M20 x 1.5	24	630 bar						
801.50.204.00	15.5	19	G 1/4"	19	630 bar	804.50.204.00	15.5	19	G 1/4"	19	630 bar
801.50.204.10	15.5	16	G 1/4"	19	630 bar						
801.50.208.00	17.5	20	G 1/2"	27	630 bar						



**Raccordo manometro girevole 90°**

**90° female swivel pressure gauge fitting**

**Tubo tipo / Hose type**

6400						
Part. No.	L	L1	d	Ch.	p max.	
801.55.204.00	28	25	G 1/4"	19	630 bar	